

**100 1000 S Single lever basin mixer with pop up waste**

projection 100 mm, with ceramic cartridge, with flexible hoses 3/8", matt black

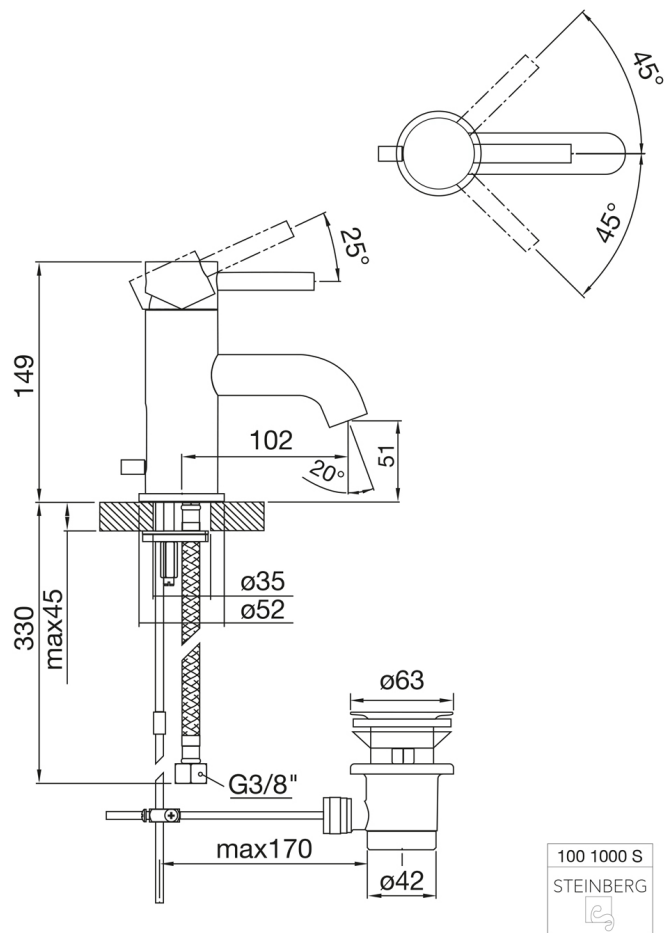
PRODUCT IMAGE



**100 1000 S Single lever basin mixer with pop up waste**

projection 100 mm, with ceramic cartridge, with flexible hoses 3/8", matt black

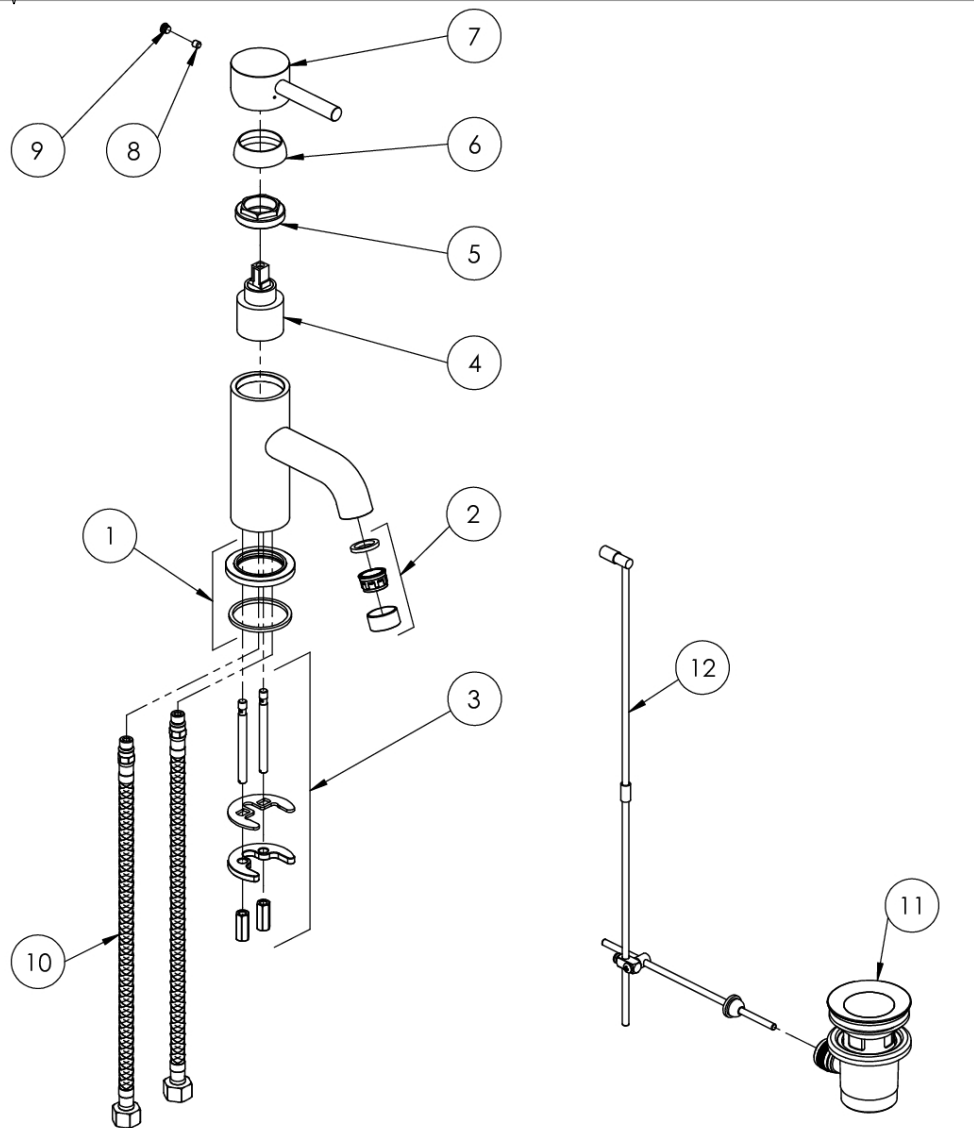
TECHNICAL DRAWING



100 1000 S Single lever basin mixer with pop up waste

projection 100 mm, with ceramic cartridge, with flexible hoses 3/8", matt black

EXPLODED VIEW



PartNo	DE	EN	
1	099 9870	Fuß-Rosette Ø 52mm	foot rosette Ø 52mm
2	099 9134	Luftsprudler innenliegend, komplett mit Montageschlüssel	aerator inside with chrome finished sleeve
3	099 9800	Befestigungsset 2 Gewindestifte M6, ohne Fußrosette	fixing set, 2 x free rod M6, without base rosette
4	099 9019 1	Keramik-Kartusche Ø 35mm (Kerox)	ceramic cartridge Ø 35mm (Kerox)
5	099 8010	Überwurfmutter Kartuschenbefestigung 35mm	hexagonnut to fix cartridge 35mm
6	099 8011	Kugelkappe, chrom	chrome sleeve for hexagonnut
7	099 9910	EHM-Armaturenhebel komplett mit Logo	lever for single lever mixer complete with logo
8		Madenschraube zum Armaturenhebel	hexagon screw for lever
9	099 4107	Chromkämpchen	chrom cap of single lever mixer handle
10	099 9200	Flexschlauch Ü 3/8" x M10, Länge 360mm (Paar)	flexible hose Ü 3/8" x M10, length 360mm (pair)
11	099 9300	Ablaufgarnitur 1 1/4" ohne Kugelstange	pop up waste 1 1/4" without vertical ball-rod
12	099 9850	Zugstangenset mit Zugstange	pop up rod and ball rod
			100 1000
			28.10.2013
			STST144
			STEINBERG
			